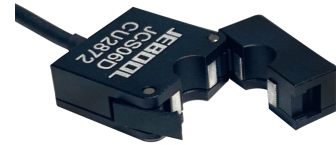


## Current Sensor JCS06D / JCS06DL

- JCS06D, range  $\pm 15A$ , applied to various signal monitoring, airbag ignition current;
- JCS06D, range  $\pm 100A$ , applied to measure pretension current of motorized seatbelt;
- Suitable to AC, DC and pulse current measurement;
- Max. wire diameter 6mm;
- Easy to install;
- Excitation voltage 4.5V~10.5V;
- Response time < 3 $\mu$ s;
- Anti-Shock > 2000g.

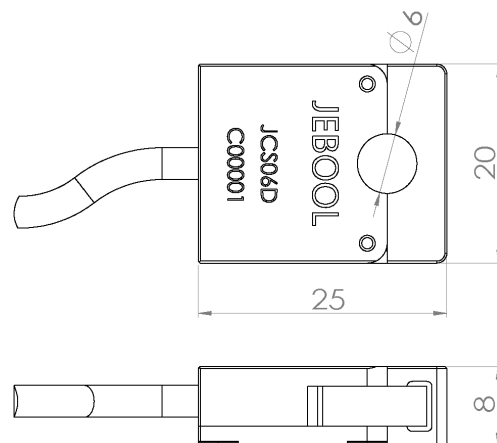


The current sensor is based on the Hall principle to achieve high-precision measurement of line current. The independent power supply is completely isolated from the measurement system, and the direct output voltage signal has a good linear relationship with the measured current.

Specification (5V Excitation Voltage, 25°C):

Name	Unit	Value
Range	A	JCS06D: $\pm 15$ JCS06DL: $\pm 100$
Over Range	A	JCS06D: 50A JCS06DL: $\pm 120$
Non-Linearity	%	< 0.5
Hysteresis	%	< 0.5
Offset	mV/V	< 5
Response Time	$\mu$ s	< 3
Exc. Voltage	VDC	4.5~10.5
Consumption	mA	< 10
Anti-Shock	g	> 2000
Isolation	M $\Omega$	> 100
Opera. Temp.	°C	-20~80
Max. Wire Dia.	mm	6
Material	/	Al. Alloy
Weight	grams	10
Dimension	mm	25 $\times$ 20 $\times$ 8

Dimension:



Wires Define:

Red	Excitation+
Black	Excitation-
White	Signal-
Green	Signal+
Shield	Connector case

Wire length default 8m;

Connector can be customized.