

Accelerometer AC-100

- Piezo-resistive accelerometer, Range $\pm 100g$;
- Very low consumption $<2mA$;
- Very low noise $<100\mu g/\sqrt{Hz}$;
- Frequency response $\geq 1500Hz$ (5%);
- Anti-Shock $\geq 2000g$.



AC-100, based on MEMS, is a single axis accelerometer with very low noise. The sensor can real very high measurement repeatability. It includes an internal LDO to get stable accuracy voltage, which also reduces the sensor power supply. A RC decouple low pass filter is integrated to refine the signal output. The sensor includes wear-resisting cable with default length 8m. Also, the LEMO connector and Dallas ID are optional.

Technical Specification:

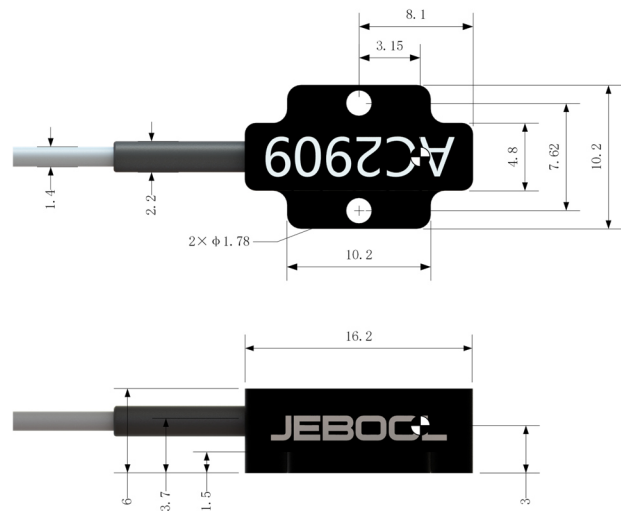
Name	Unit	Value
Range	g	± 100
Excitation Voltage	V	5
Offset	mV	<200
Sensitivity	mV/g	18
Frequency Response	Hz	1500 (5%) 5000 (-3dB)
Non-Linearity	%FS	$\leq \pm 0.2$
Transverse Sensitivity	%	≤ 1
Noise Density	$\mu g/\sqrt{Hz}$	<100
Current	mA	<2
Thermal Sens. Shift	%/°C	± 0.01
Power on time	ms	<10
Anti-Shock	g	>2000
Output Impedance	Ω	<1
Isolation Resistance	M Ω	>100
Operation Temperature	°C	-40~80
Case Materials	/	Al. Alloy
Wight (without cable)	grams	2
Dimension	mm	16.2 \times 10.2 \times 6.0

Cable and Connector can be as required.

Hangzhou Jebool Technology Co., Ltd.

Tel: +86-571-88665293; Email: info@jebool.com. Address: Room 101, 1st Floor Building 2, No. 503 Xingguo Road, Donghu Street, Linping District, Hangzhou 311100, China.

Dimension:



Wire Define:

Red	Excitation+, 5V
Black	Excitation-, GND
Green	Signal+
White	Signal-
Shield	Connector Case

Accessories:

2 \times #0-80 \times 3/16 inch socket head cap screw;

2 \times #0 flat washers; 1 \times Allen wrench.