

## Angular Rate Sensor ARS-2001

- Applied to angular rate measurement in any harsh environment, vehicle crash test;
- Small size, easy to install;
- Excitation voltage 5V;
- Based on MEMS technology;
- Built-in Lower Pass Filter, response from DC to 300Hz;
- Anti-Shock >5000g.



The angular rate sensor ARS-2001 is based on the principle of the resonator gyroscope and contains multiple vibration frames. When the detection structure rotates, the Coriolis force generated changes a capacitance structure, which is then converted into electrical signal changes, thus realizing angular velocity measurement. The independent power supply is completely isolated from the measurement system, and the direct output voltage signal has a good linear relationship with the measured current.

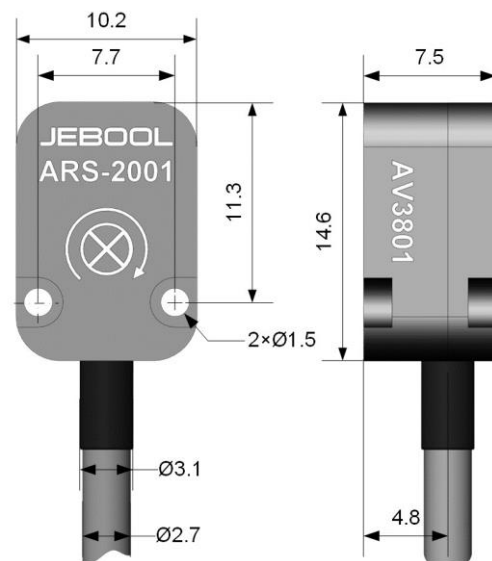
### Specification (5V, 25°C):

Name	Unit	Value
Range	deg/sec	±1800
Linear Acc. Effect	dps/g	±0.05 (typical)
Non-Linearity	%FS	<0.5
Response	Hz	DC-300
Offset	mV/V	<10
Warmup	ms	<3
Excitation	VDC	5
Consumption	mA	<5
Anti-Shock	g	5000
Insulation Res.	MΩ	>100
Opera. Temp.	°C	-40~95
Store Temp.	°C	-40~105
Material	/	Al. Alloy
Mass	grams	<2
Dimension	mm	7.5×10.2×14.6

Wire length default 8m;

The connector and ID as required.

### Dimension:



### Wires define:

Red	Excitation+
Black	Excitation-
Green	Signal+
White	Signal-
Shield	Connector Case