

Current Sensor JCS35D

- Applied to various power current monitoring, EV/HEV Battery test during crash test;
- Measurement of DC, AC and pulse current;
- Max. wire diameter 35mm;
- Easy to install;
- Measurement range default 1000A;
- Response time <10us;
- Anti-Shock 200g.



The current sensor JCS35D is based on the Hall principle to achieve high-precision measurement of line current. The independent power supply is completely isolated from the measurement system, and the direct output voltage signal has a good linear relationship with the measured current. JCS35D has default range 1000A, and below 2500A is optional.

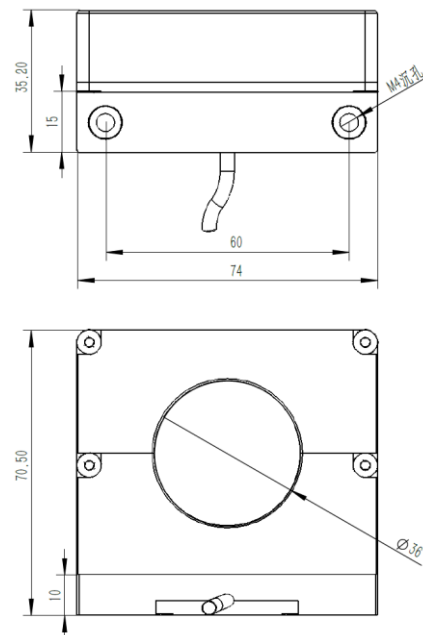
Specification (5V, 25°C)

| Name | Unit | Value |
|---------------|-------|--------------|
| Range | A | ±1000 |
| Over range | A | ±2500 |
| Non-Linearity | % | <0.5 |
| Hysteresis | % | <0.5 |
| Offset | mV/V | < 5 |
| Response time | μs | < 10 |
| Excitation | VDC | 4.5~10.5 |
| Consumption | mA | 10 |
| Anti-Shock | g | 200 |
| Isolation | MΩ | >100 |
| Opera. Temp. | °C | -30~85 |
| Store Temp. | °C | -40~90 |
| Material | / | Al. Alloy |
| Weight | grams | 300 |
| Dimension | mm | 70.5×74×35.2 |

Wire length default 8m;

Connector can be customized.

Dimension:



Wire Define:

| | |
|--------|----------------|
| Red | Excitation+ |
| Black | Excitation- |
| White | Signal- |
| Green | Signal+ |
| Shield | Connector case |