

# Data Acquisition Device DR-PLI

- Professional to apply DDAS technology;
- Very suitable to DAS of aPLI and Flex-PLI;
- 8×RS485 data bus, up to 96 sensor channels @ 20kHz;
- Flash Memory inside, the date can be recorded;
- Software and hardware trigger are supported;
- UPS Battery inside;
- Ethernet communication, Adapter Box included;
- Anti-Shock  $\geq 100g@6ms$ .

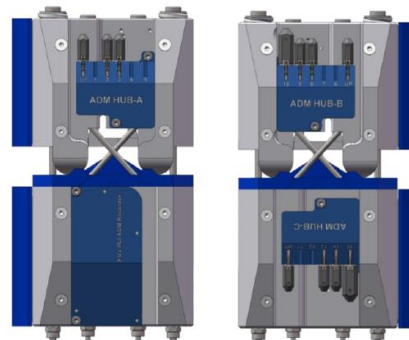


The DR-PLI is designed for Vehicle Pedestrian Protection Test Legform Impactor. It meets the leg type collection requirements of Flex-PLI and aPLI. Through the ADM module (ADM-Hub), the data is transferred to DR-PLI for collection and recording. It has a built-in rechargeable lithium battery and a Flash memory that is not lost when power is off; it also provides a redundant mechanism for software Start Recording trigger, external T0 signal trigger, off-line T0 trigger, and analog threshold T0 trigger, ensuring that the test is simple and reliable.

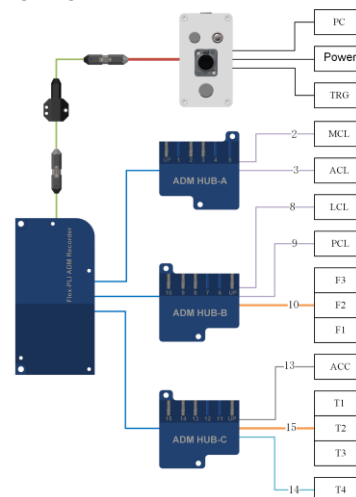
### Specification (25 °C):

| Name                  | Unit         | Value    |
|-----------------------|--------------|----------|
| Sensor Channels       | Channels     | 36       |
| Sampling Frequency    | kHz          | 20       |
| Recording Time        | s            | >300     |
| Flash Memory          | MB           | 256      |
| Trigger Input         | /            | SR&T0    |
| RS485 Speed           | Mbit/s       | 6        |
| Current Output        | mA           | 500/port |
| Ethernet              | Mbit/s       | 100      |
| Power Input           | With Adapter | 24V~48V  |
| Power                 | W            | 30       |
| Operation Temp.       | °C           | 5~40     |
| Weight (with battery) | grams        | 150      |

### DP-PLI application on Flex-PLI:



### Connecting diagram with sensors for Flex-PLI:



Flex-PLI: Omnetics 12pins connector, will switch into LEMO FGG.2B.312 by the extend cable.

aPLI: Magnet connector, will switch into LEMO FGG.2B.312 by the extend cable.